

AMERICAN AVK RESILIENT SEATED GATE VALVE
250 PSI, Tested to AWWA C509 (NRS)
ANSI B16.1 Class 125 Flanged x Flanged Ends - Valve Sizes 2" - 12"

25/4X
FLxFL

Use:

For water and neutral liquids to maximum 160°F.

Tests:

Hydraulic test to AWWA C509:

Shell Test: 500 PSI

Seat Test: 250 PSI

Operating Torque Test

Optional Materials:

Stem Option a): For UL, FM, ULC
 Low zinc bronze
 ASTM B763

Anti Friction Washers Polyamide

Bonnet Bolts Option a): For UL, FM, ULC
 ASTM A164 zinc coated
 steel sealed with hot melt

Option b): Stainless Steel - 316
 sealed with hot melt

Gland Bolts Option a): For UL, FM, ULC
 ASTM A164 zinc coated
 steel Hexagon bolt

Option b): Stainless Steel - 316
 Hexagon bolt

Standard Materials:

Body, Bonnet, Cast iron ASTM A126 class B
 Gland Flange Ductile iron ASTM A536
 Coating Electrostatically applied fusion-
 bonded epoxy-resin
 Meets or exceeds AWWA C550

Wrench Nut Ductile iron ASTM A536
 - painted black for open left,
 red for open right.

Stem Standard: Stainless Steel,
 ASTM A582

Wedge Ductile iron ASTM A536
 encapsulated with EPDM-rubber
 compound

Wedge Nut, Thrust Collar Bronze

Bonnet Bolts Stainless Steel - 304
 sealed with hot melt

Gland Bolts Stainless Steel - 304
 Hexagon bolt

Bonnet Gasket ASTM D2000 Buna "N" nitrile
 Wiper Ring, rubber
 O-Ring Stem Seals,
 O-Ring Gland Seal

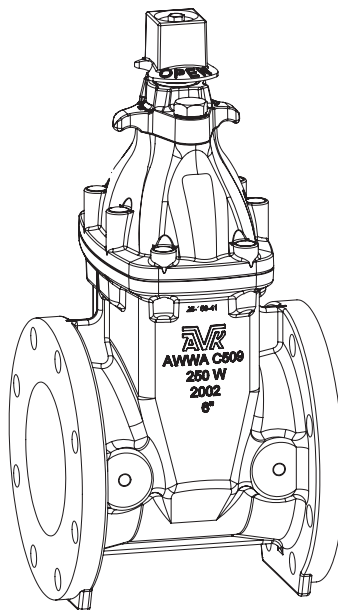
Approvals:



Certified to
NSF/ANSI 61

Certified to
NSF/ANSI 372

*UL/ULC Listed,
 *FM Approved
 * Approved at 200 PSI working pressure
 Certified to: NSF/ANSI 61, NSF/ANSI 372

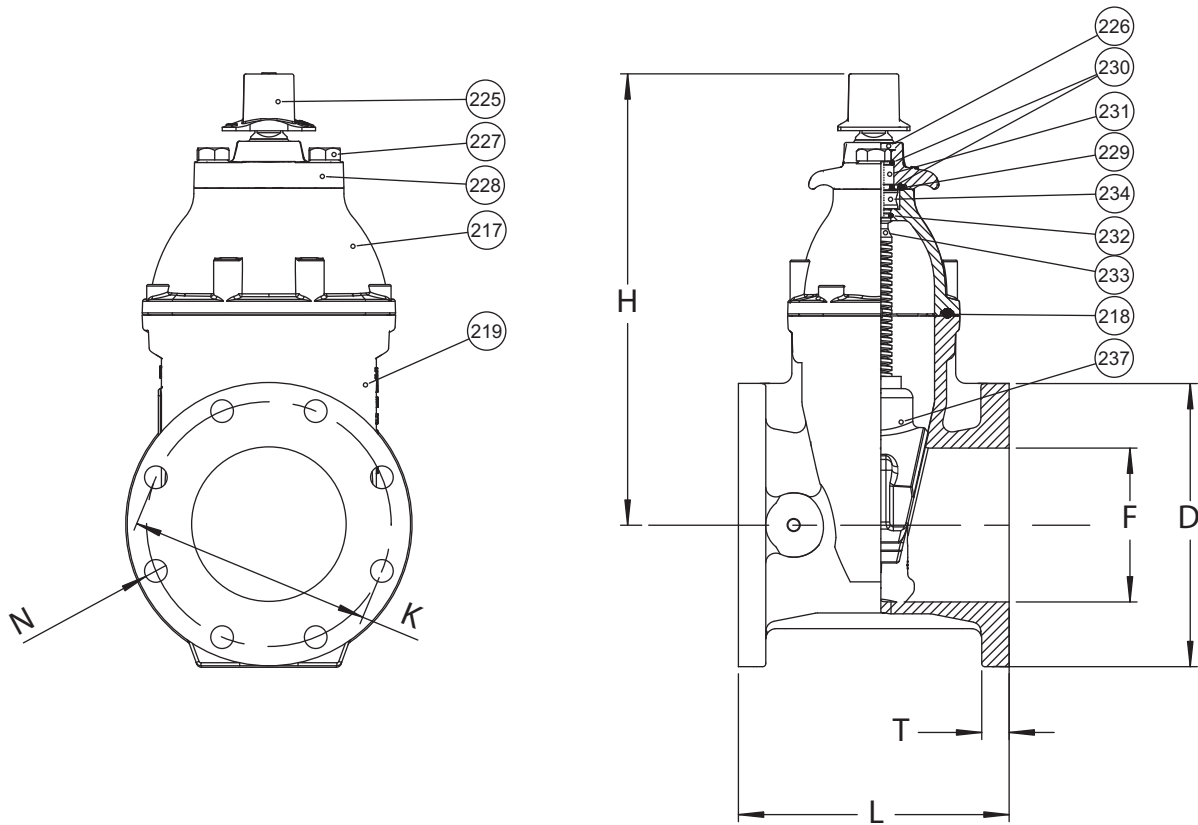


AMERICAN AVK RESILIENT SEATED GATE VALVE
250 PSI, Tested to AWWA C509 (NRS)
ANSI B16.1 Class 125 Flanged x Flanged Ends - Valve Sizes 2" - 12"

25/4X
FLxFL

Component List:

- | | | |
|--------------------|------------------------------|-----------------------------|
| 217. Bonnet | 227. Gland Flange Bolt | 232. Lower Stem Seal O-Ring |
| 218. Bonnet Gasket | 228. Gland Flange | 233. NRS Stem |
| 219. Body | 229. Gland O-Ring | 234. Thrust Collar |
| 225. Wrench Nut | 230. Upper Stem Seal O-Rings | 237. Wedge |
| 226. Wiper Ring | 231. Stem Seal Bushing | |



Ref No.	Size	D	F	H	K	L	N	T	Flange Holes	Turns to Open	Wt. Lbs.
25-050-4X	2"	6.00"	2.00"	10.56"	4.75"	7.00"	0.75"	0.63	4	11	29
25-065-4X	2.5"	7.00"	2.50"	12.25"	5.50"	7.50"	0.75"	0.70"	4	11	38
25-080-4X	3"	7.50"	3.00"	12.09"	6.00"	8.00"	0.75"	0.79"	4	13	43
25-100-4X	4"	9.00"	4.00"	13.50"	7.50"	9.00"	0.75"	1.00"	8	14	64
25-150-4X	6"	11.00"	6.00"	17.50"	9.50"	10.50"	0.88"	1.06"	8	21	98
25-200-4X	8"	13.50"	8.00"	21.50"	11.75"	11.50"	0.88"	1.14"	8	26	154
25-250-4X	10"	16.00"	10.00"	24.75"	14.25"	13.00"	1.00"	1.22"	12	32	269
25-300-4X	12"	19.00"	12.00"	27.63"	17.00"	14.00"	1.00"	1.30"	12	38	391

