

**AMERICAN AVK TRAFFIC SECTION REPAIR KIT
FOR DRY BARREL HYDRANTS**
For all AVK Dry Barrel Hydrants

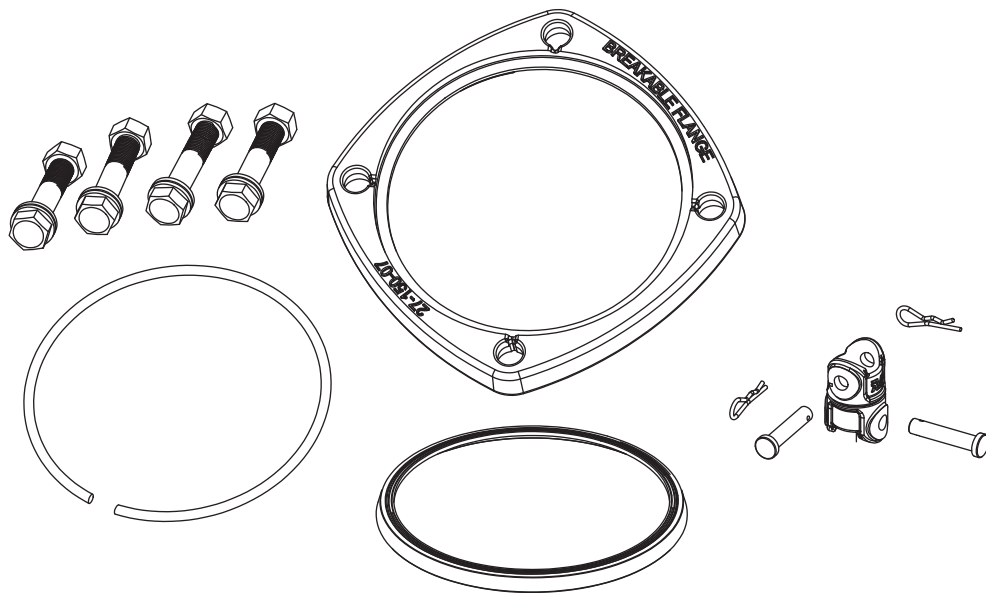
**27/75X
DBHTRAFFIC**

Standard Materials:

Breakable Flanges	Ductile Iron ASTM A536
Breakable Coupling, Coupling Pins, Lock Rings, Spring Pins	Stainless Steel
Bolts, Nuts, Washers	Zinc plated steel
Barrel Gasket	Nitrile rubber with stainless steel insert
Coatings	Breakable Flanges - Fusion bonded epoxy coated.

Optional Materials:

Bolts, Nuts, Washers	Stainless steel, 304
----------------------	----------------------

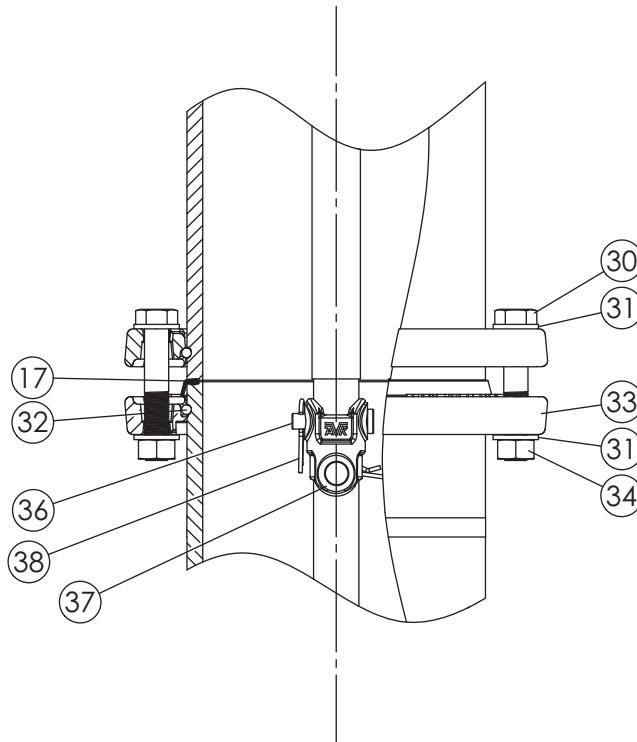


**AMERICAN AVK TRAFFIC SECTION REPAIR KIT
FOR DRY BARREL HYDRANTS**
For all AVK Dry Barrel Hydrants

**27/75X
DBHTRAFFIC**

Component List:

- | | |
|-------------------------|------------------------|
| 17. Barrel Gasket | 34. Nut |
| 30. Nozzle Section Bolt | 36. Coupler Pin |
| 31. Washer | 37. Breakable Coupling |
| 32. Lock Ring | 38. Spring Pin |
| 33. Breakable Flange | |



Ref. nos.	Content	Weight Lbs.
27-150-75-X-0-XX	Traffic section repair kit	24
0 - Complete, no bolts		
1 - Complete, zinc plated bolts model 27-00, standard coupler & pins		
2 - Complete, 304 ss bolts for model 27-00, standard coupler & pins		
3 - Complete, zinc plated bolts model 27-80, standard coupler & pins		
4 - Complete, 304 ss bolts for model 27-80, standard coupler & pins		
5 - Complete, 316 ss bolts for model 27-00, standard coupler & pins		
6 - Complete, 316 ss bolts for model 27-80, standard coupler & pins		
7 - Complete, 316 ss bolts for model 27-80, Charleston (coupler & pins)		
(1)27-151-26 and (2)27-153-09		
8 - Complete, 304 ss bolts for model 27-80, Vancouver (coupler & pins)		
(1)27-151-26 and (2)27-152-09		
	00 - 250my blue	
	01 - 250my red	
	04 - 250my yellow	
	05 - Silver aluminum	
	06 - Red rust primer	
	07 - Safety orange	
	24 - Polyurethane HBF #IF5008, Red.	
	36 - Lime Green	
	90 - Uncoated	
	# 94 - Belzona primer paint	

