

AMERICAN AVK SWING CHECK VALVE, 250 PSI
Tested to AWWA C508 - Bronze Seated Swing
Flanged Ends Drilled to ASME B16.42 Class 150 - Valve Sizes 3" - 12"

41/MP
BRNZ/SWNG

Use:

For potable water and sewage to maximum 160°F.

Tests:

Hydraulic test to AWWA C508:

Shell Test: 500 PSI

Seat Test: 250 PSI

Optional Extras:

Resilient seated disc assembly.

Tapping boss, tapped and plugged.

Priming Device

Approvals:

Certified to: ANSI/NSF 61, ANSI/NSF 372



Standard Materials:

Body, Bonnet, Ductile iron, ASTM A536

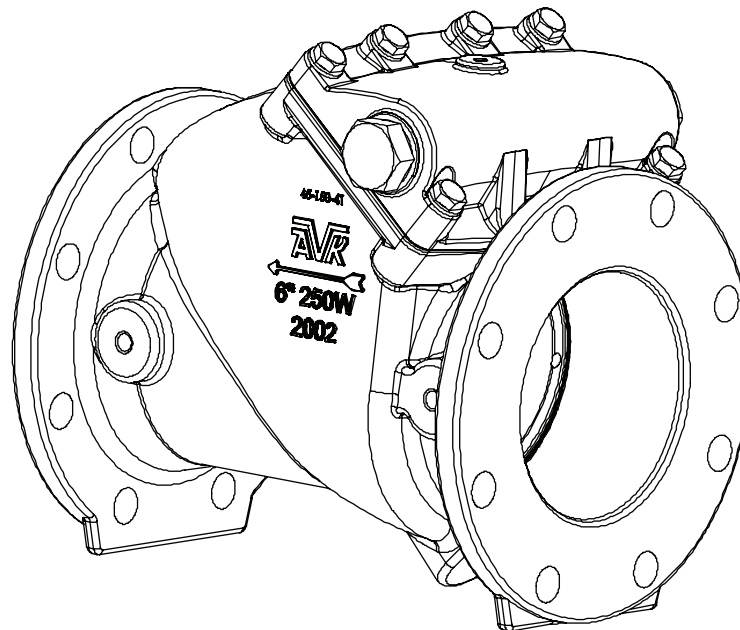
Coating Electrostatically applied fusion-bonded epoxy.
Meets or exceeds AWWA C550

O-Rings, NBR
Bonnet Gasket

Shaft, Hinge, Stainless steel
Bonnet Bolts,
Washers, Keys

Bushings Bronze
Body & Disc Seal

Bronze Seated EPDM rubber with a carbon
Disc steel core and bronze seat.



C508 clear waterway design. Laylength to ANSI B16.10



AMERICAN AVK SWING CHECK VALVE, 250 PSI
Tested to AWWA C508 - Bronze Seated Swing
Flanged Ends Drilled to ANSI B16.42 Class 150 - Valve Sizes 3" - 12"

41/MP
BRNZ/SWNG

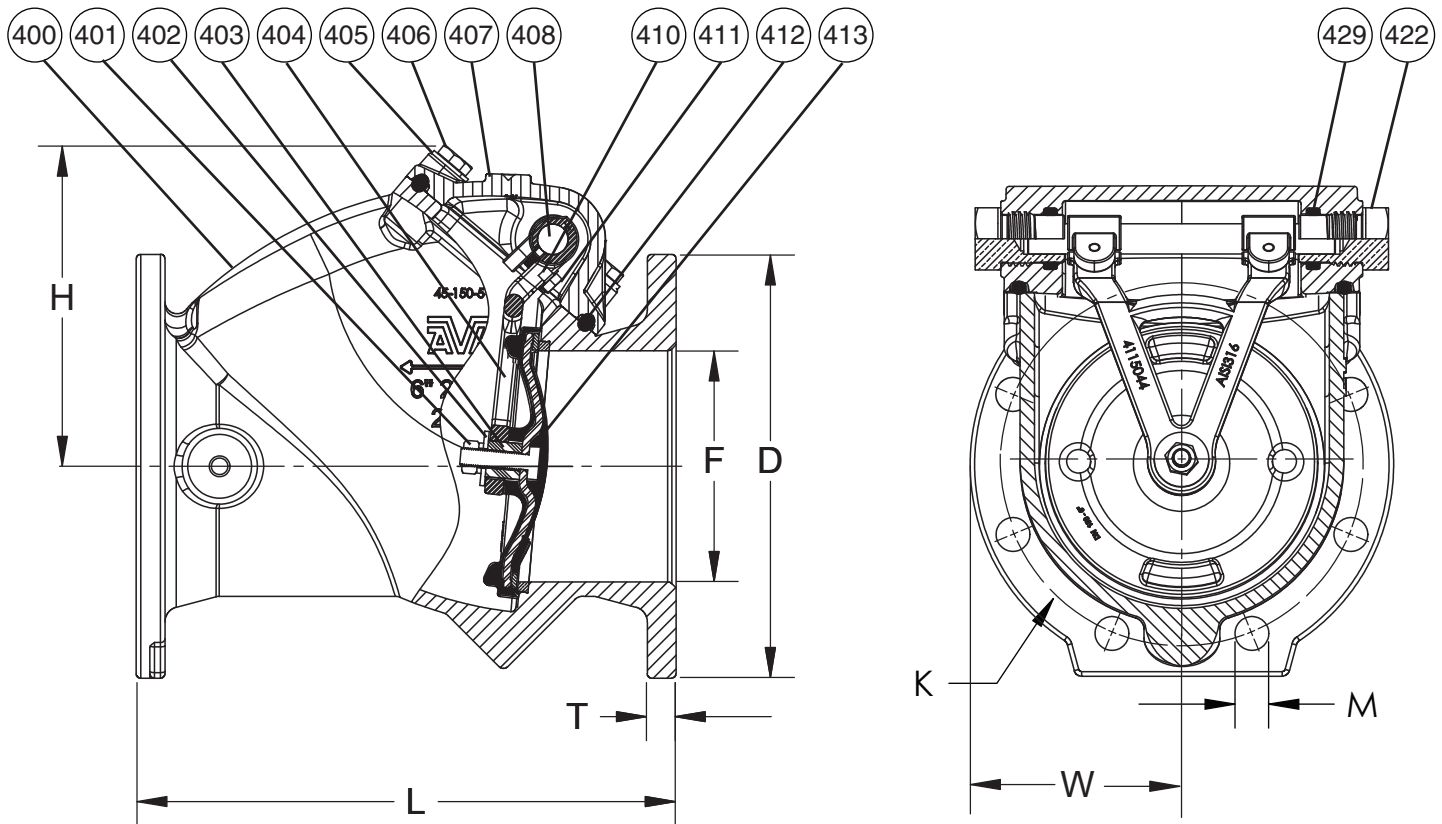
Components

400. Body	406. Bonnet Bolt	413. Disc	430. Hinge Connector*
401. Disc Nut**	407. Bonnet	421. Outer Bushing	421. Outer Bushing
402. Disc Washer	408. Shaft	O-ring**	O-ring**
403. Disc Bushing	410. Lock Washer	422. Closed Bushing	
404. Hinge	411. Hinge Bolt	423. Disc Lock Washer**	
405. Bonnet Washer	412. Bonnet Gasket	429. Bonnet O-ring***	

* 10" and 12" Valves

** As of March 1st, 2008 on 3" through 8" valves, the Disc Lock Washer (423), and Disc Nut (401), are replaced by a new self locking Disc Nut (401).

*** As of June 1st, 2014, new style bonnets that eliminate the Outer Bushing O-rings (421), and utilize new Inner Bushing O-rings (429) for all size check valves



Ref No.	Size	D	F	H	K	L	M	T	W	Flange Holes	Weight (lbs.)
41-080-MP	3"	7.50"	3.00"	5.50"	6.00"	9.50"	0.75"	0.75"	3.76"	4	35
41-100-MP	4"	9.00"	4.00"	6.00"	7.50"	11.50"	0.75"	0.75"	4.50"	8	51
41-150-MP	6"	11.00"	6.00"	7.75"	9.50"	14.00"	0.88"	0.75"	5.50"	8	86
41-200-MP	8"	13.50"	8.00"	9.00"	11.75"	19.50"	0.88"	0.80"	6.75"	8	165
41-250-MP	10"	16.00"	10.00"	13.50"	14.25"	24.50"	1.00"	1.20"	8.01"	12	450
41-300-MP	12"	19.00"	12.00"	15.37"	17.00"	27.50"	1.00"	1.26"	9.50"	12	570

