

AMERICAN AVK RESILIENT SEATED DUCTILE IRON GATE VALVE
250 PSI, Tested to AWWA C509 / C515 (NRS) for Indicator Post
Push-on Joint End x Push-on Joint End (TYTON) - Valve sizes 4" - 12" and 16"

45/PPP-UL
POxPO PIV

Use:

For water and neutral liquids to maximum 160°F.

Tests:

Hydraulic test to AWWA C509:

Shell Test: 500 PSI 4"-16"

Seat Test: 250 PSI 4"-16"

Operating Torque Test

Optional Materials:

Stem For UL, FM, ULC for 4" - 12"
 Low Zinc Bronze ASTM B763

Anti Friction Washers Polyamide

Wedge Ductile iron ASTM A536
 encapsulated with NBR-rubber
 compound

Standard Materials:

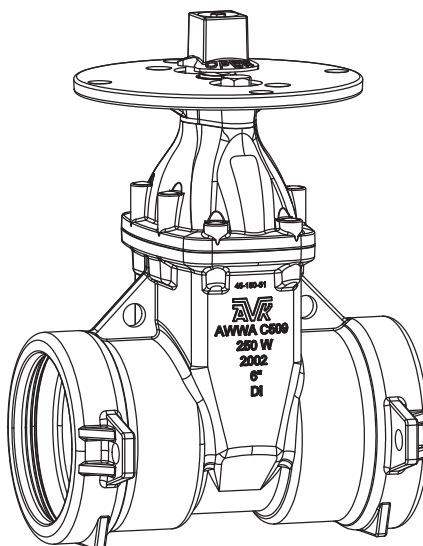
| | |
|--------------------------------------------------------------------------|-------------------------------------------------------------------------------------------|
| Body, Bonnet, Post Indicator Plate, Wrench Nut | Ductile iron ASTM A536 (Wrench Nut-painted black for open left, red for open right) |
| Coating | Electrostatically applied fusion- bonded epoxy-resin Meets or exceeds AWWA C550 |
| Stem | Stainless steel 304, 4"-12" Aluminum Bronze C63020, 14"-16" |
| Wedge | Ductile iron ASTM A536 encapsulated with EPDM-rubber compound |
| Wedge Nut, Thrust Collar | Bronze |
| Bonnet Bolts | Stainless Steel - 316 sealed with hot melt |
| Gland Bolts | Stainless Steel - 316 Hexagon bolt |
| Bonnet Gasket, Wiper Ring, O-Ring Stem Seals, O-Ring Gland Seal | ASTM D2000 Buna "N" nitrile rubber |

Approvals:



*UL/ULC Listed
 *FM Approved
 Certified to: ANSI/NSF 61, ANSI/NSF 372

* Approved at 250 PSI working pressure, 4"-12"
 * Approved at 200 PSI working pressure, 14"-16"

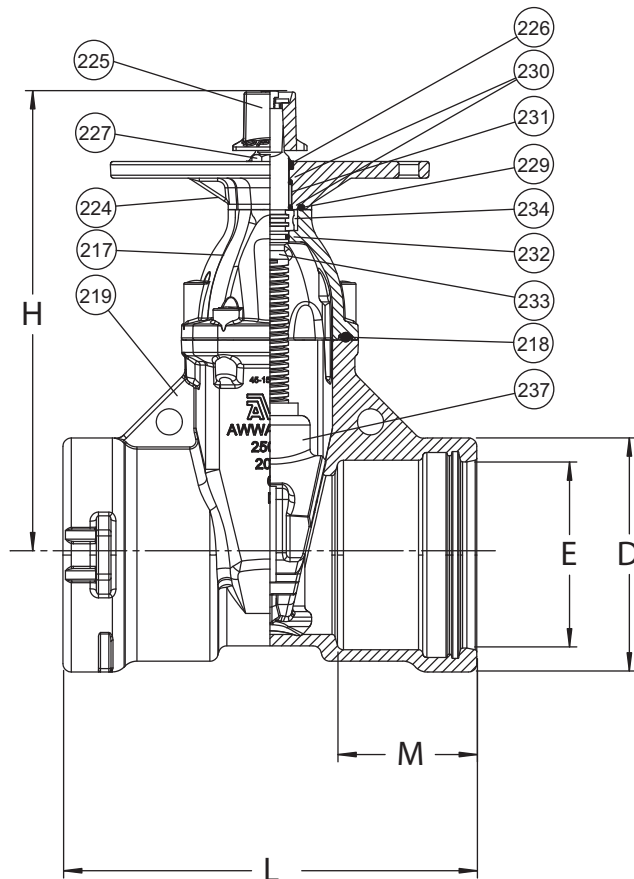


AMERICAN AVK RESILIENT SEATED DUCTILE IRON GATE VALVE
250 PSI, Tested to AWWA C509 / C515 (NRS) for Indicator Post
Push-on Joint End x Push-on Joint End (TYTON) - Valve sizes 4" - 12" and 16"

45/PPP-UL
POxPO PIV

Component List:

- | | | |
|---------------------------|------------------------------|-----------------------------|
| 217. Bonnet | 226. Wiper Ring | 232. Lower Stem Seal O-Ring |
| 218. Bonnet Gasket | 227. Gland Flange Bolt | 233. NRS Stem |
| 219. Body | 229. Gland O-Ring | 234. Thrust Collar |
| 224. Post Indicator Plate | 230. Upper Stem Seal O-Rings | 237. Wedge |
| 225. Wrench Nut | 231. Stem Seal Bushing | |



| Ref No. | Size | D | E | H | L | M | Turns to Open | Weight (lbs.) |
|---------------|------|--------|--------|--------|--------|-------|---------------|---------------|
| 45-100-PPP-UL | 4" | 6.66" | 4.93" | 13.50" | 11.99" | 4.12" | 14 | 57 |
| 45-150-PPP-UL | 6" | 8.84" | 7.03" | 17.50" | 15.63" | 5.22" | 21 | 97 |
| 45-200-PPP-UL | 8" | 11.23" | 9.18" | 21.50" | 17.17" | 5.63" | 26 | 157 |
| 45-250-PPP-UL | 10" | 13.50" | 11.22" | 24.75" | 17.64" | 5.63" | 32 | 227 |
| 45-300-PPP-UL | 12" | 15.74" | 13.32" | 27.75" | 19.21" | 5.63" | 38 | 391 |
| 45-400-PPP-UL | 16" | 20.62" | 17.50" | 34.75" | 22.72" | 6.00" | 51 | 982 |

