

AMERICAN AVK STAINLESS STEEL BALL CHECK VALVE

53/NNS
NPTxNPT

NPT x NPT - Valve sizes 1 1/2" - 2"

Use:

For water and neutral liquids to maximum 160°F.

Tests:

Shell Test: 225 PSI

Seat Test: 150 PSI

Optional Materials:

- Floating Ball

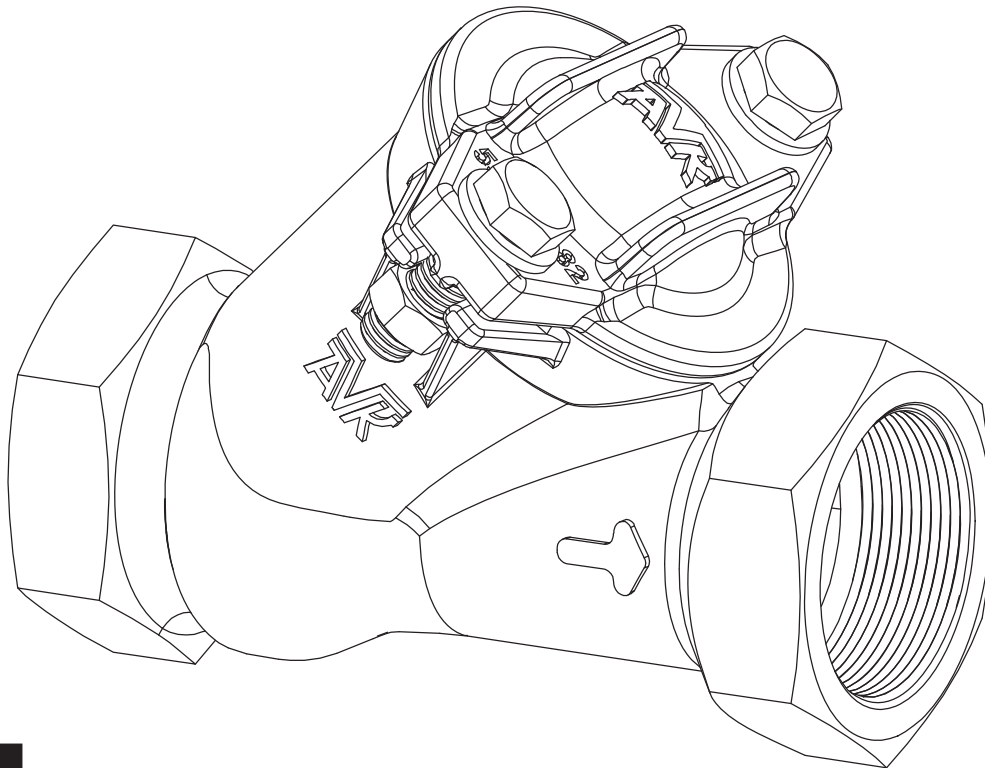
Standard Materials:

Body, Bonnet, Stainless Steel 316

Ball Steel encapsulated with
NBR-rubber compound

Bonnet Bolts, Nuts Stainless Steel 304

Bonnet Gasket, NBR O-ring



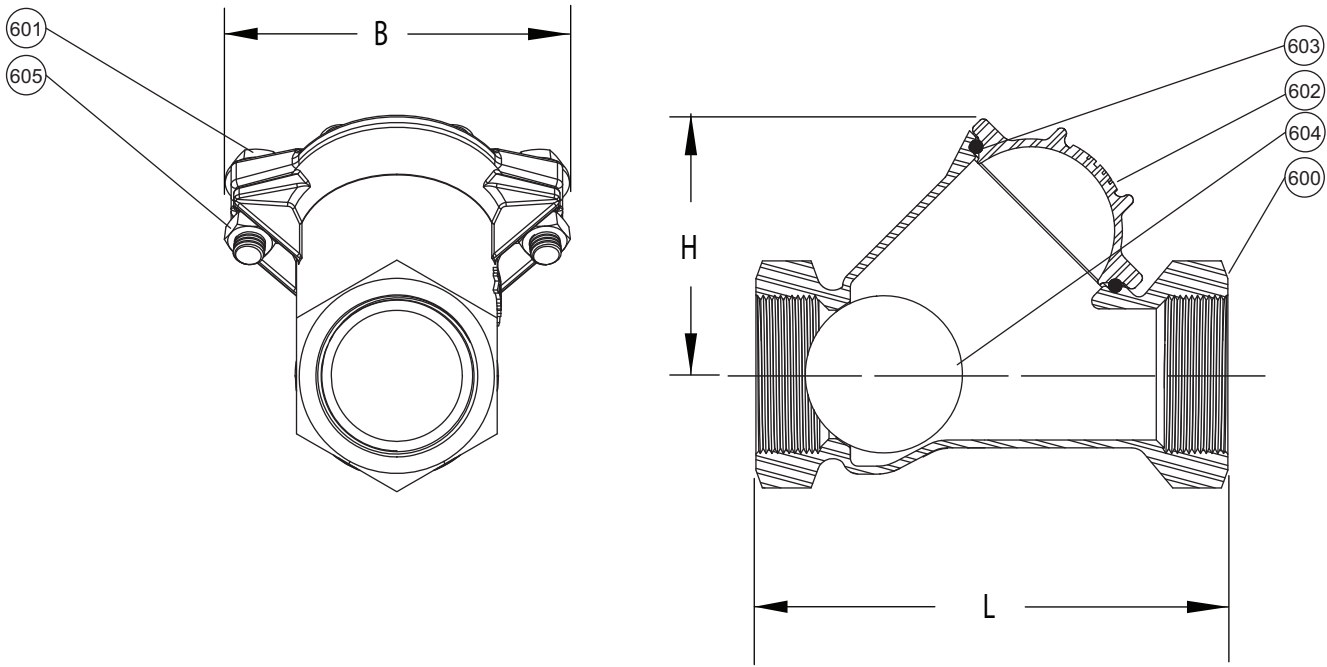
AMERICAN AVK STAINLESS STEEL BALL CHECK VALVE

53/NNS
NPT/NPT

NPT x NPT - Valve sizes 1 1/2" - 2"

Component List:

- 600. Body
- 601. Bonnet Bolt
- 602. Bonnet
- 603. Bonnet O-ring
- 604. Ball
- 605. Bonnet Nut



Ref No.	Size	B	H	L	Weight (lbs.)
53-040-NNS	1.5"	4.88"	3.27"	5.50"	4.4
53-050-NNS	2"	4.88"	3.98"	7.00"	6.6

