

AMERICAN AVK RESILIENT SEATED GATE VALVE
250 PSI, Tested to AWWA C515 (NRS)
Flanged Ends to ASME B16.42 Class 150 - Valve Size 30"

55/FFN30
FLxFL SHORT

Use:

For water and neutral liquids to maximum 160°F.

Tests:

Hydraulic test to AWWA C515:

Shell Test: 500 PSI

Seat Test: 250 PSI

Operating Torque Test

Optional Materials:

Stem Bronze

Bonnet Bolts Stainless Steel - 316
 bolt sealed with hot melt

Gland Bolts, Lifting Eyes
 Stainless Steel - 316

Options:

Handwheel, Electric Actuator, Bevel Gear, Spur Gear

Standard Materials:

Body, Bonnet, Gland Flange Ductile iron ASTM A536

Coating Electrostatically applied fusion-bonded epoxy-resin
 Meets or exceeds AWWA C550

Wrench Nut Ductile Iron ASTM A536
 - painted black for open left, red for open right.

Stem Standard: Stainless steel ASTM A276

Wedge Ductile iron ASTM A536
 encapsulated with EPDM-rubber compound

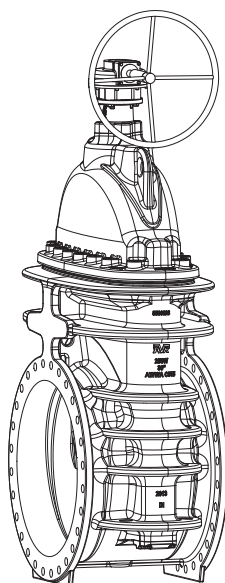
Wedge Nut, Thrust Collar Bronze

Bonnet Bolts, Gland Bolts Stainless Steel -304 sealed with hot melt

Bonnet Gasket, Wiper Ring, O-Ring Stem Seals, O-Ring Gland Seal
 ASTM D2000 Buna "N" nitrile rubber

Approvals:

Certified to: ANSI/NSF 61, ANSI/NSF 372

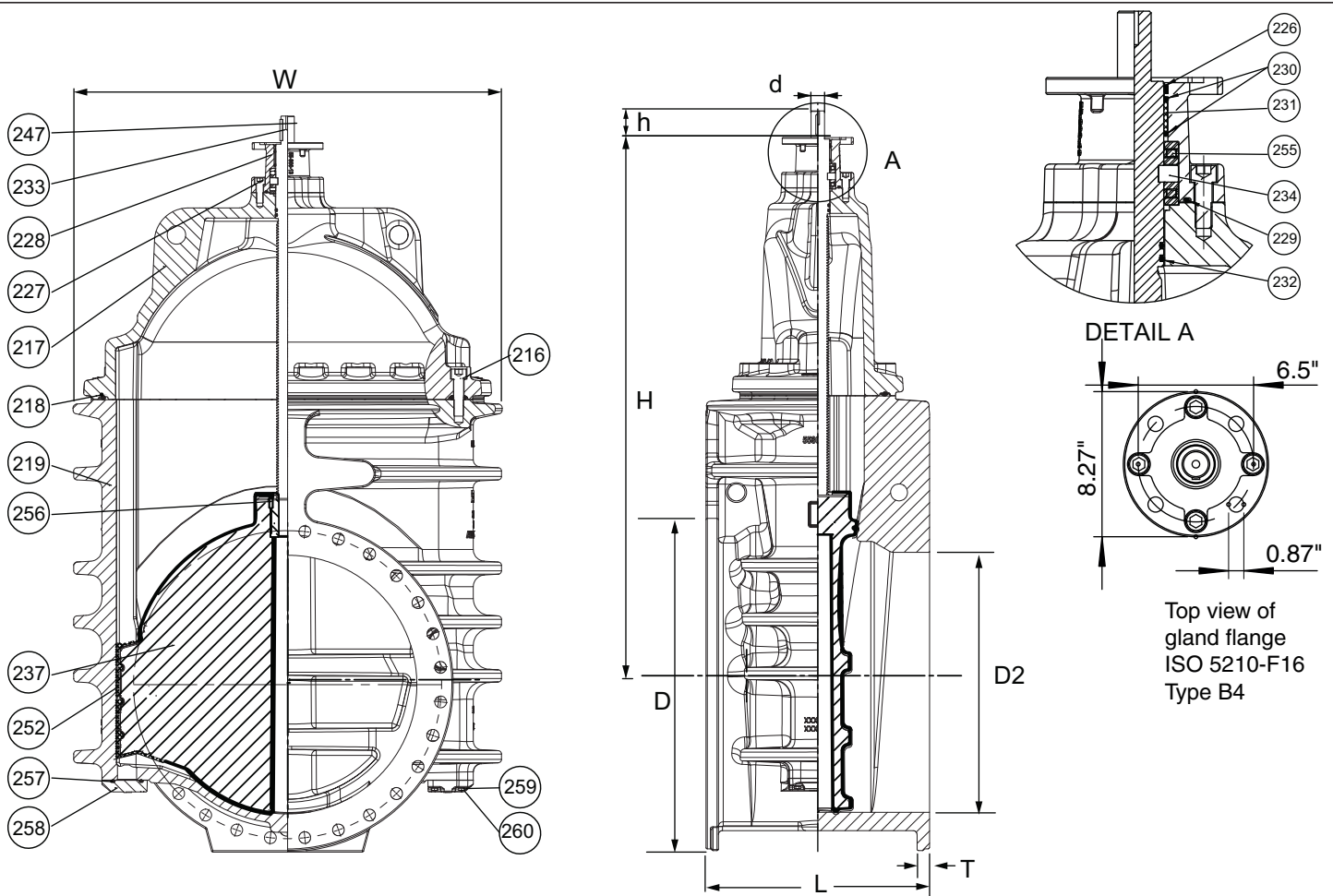


AMERICAN AVK RESILIENT SEATED GATE VALVE
250 PSI, Tested to AWWA C515 (NRS)
Flanged Ends to ASME B16.42 Class 150 - Valve Size 30"

55/FFN30
FLxFL SHORT

Component List:

- | | | |
|------------------------|------------------------------|-------------------------|
| 216. Bonnet Bolts | 229. Gland O-Ring | 255. Stem Bearing |
| 217. Bonnet | 230. Upper Stem Seal O-Rings | 256. Wedge Slotted Pin |
| 218. Bonnet Gasket | 231. Stem Seal Bushing | 257. Cover Plate O-ring |
| 219. Body | 232. Lower Stem Seal O-Ring | 258. Cover Plate |
| 226. Wiper Ring | 233. Stem Rod | 259. Cover Plate Washer |
| 227. Gland Flange Bolt | 234. Thrust Collar | 260. Cover Plate Bolt |
| 228. Gland Flange | 237. Wedge | |



Ref No.	Size	D	D2	d	H	h	K	L	N	T	W	FL-Holes	Turns to open	Weight Lbs.
55-800-MFN	30"	38.75"	30.24"	1.60"	62.80"	3.10"	36.00"	25.88"	1.42"	1.47"	49.50"	28	68	4929

Add 86 Lbs. for bevel gearing w/ handwheel, add 120 Lbs. for spur gearing w/ handwheel
 See Bevel & Spur Gearing datasheets for overall dimensions

