

**AMERICAN AVK RESILIENT SEATED GATE VALVE**  
**250 PSI, Tested to AWWA C515 (NRS)**  
**Mechanical Joint Ends to AWWA C111 - Valve Size 30"**

**55/MMN30**  
**MJxMJ**

**Use:**

For water and neutral liquids to maximum 160°F.

**Tests:**

Hydraulic test to AWWA C515:

Shell Test: 500 PSI

Seat Test: 250 PSI

Operating Torque Test

**Optional Materials:**

Stem Bronze

Anti Friction Washer Polyamide

Bonnet Bolts Stainless Steel - 316  
 bolt sealed with hot melt

Gland Bolts, Lifting Eyes  
 Stainless Steel - 316

**Options:**

Handwheel, Electric Actuator, Bevel Gear, Spur Gear

**Standard Materials:**

Body, Bonnet, Gland Flange Ductile iron ASTM A536

Coating Electrostatically applied fusion-bonded epoxy-resin  
 Meets or exceeds AWWA C550

Wrench Nut Ductile Iron ASTM A536  
 - painted black for open left,  
 red for open right.

Stem Standard: Stainless steel ASTM A276

Wedge Ductile iron ASTM A536  
 encapsulated with EPDM-rubber compound

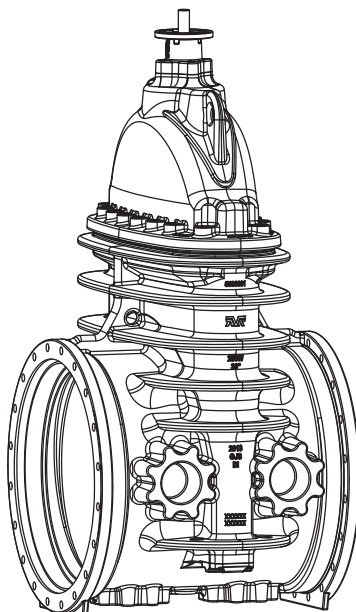
Wedge Nut, Thrust Collar Bronze

Bonnet Bolts, Gland Bolts Stainless Steel -304 sealed with hot melt

Bonnet Gasket, Wiper Ring, O-Ring Stem Seals, O-Ring Gland Seal  
 ASTM D2000 Buna "N" nitrile rubber

**Approvals:**

Certified to: ANSI/NSF 61, ANSI/NSF 372

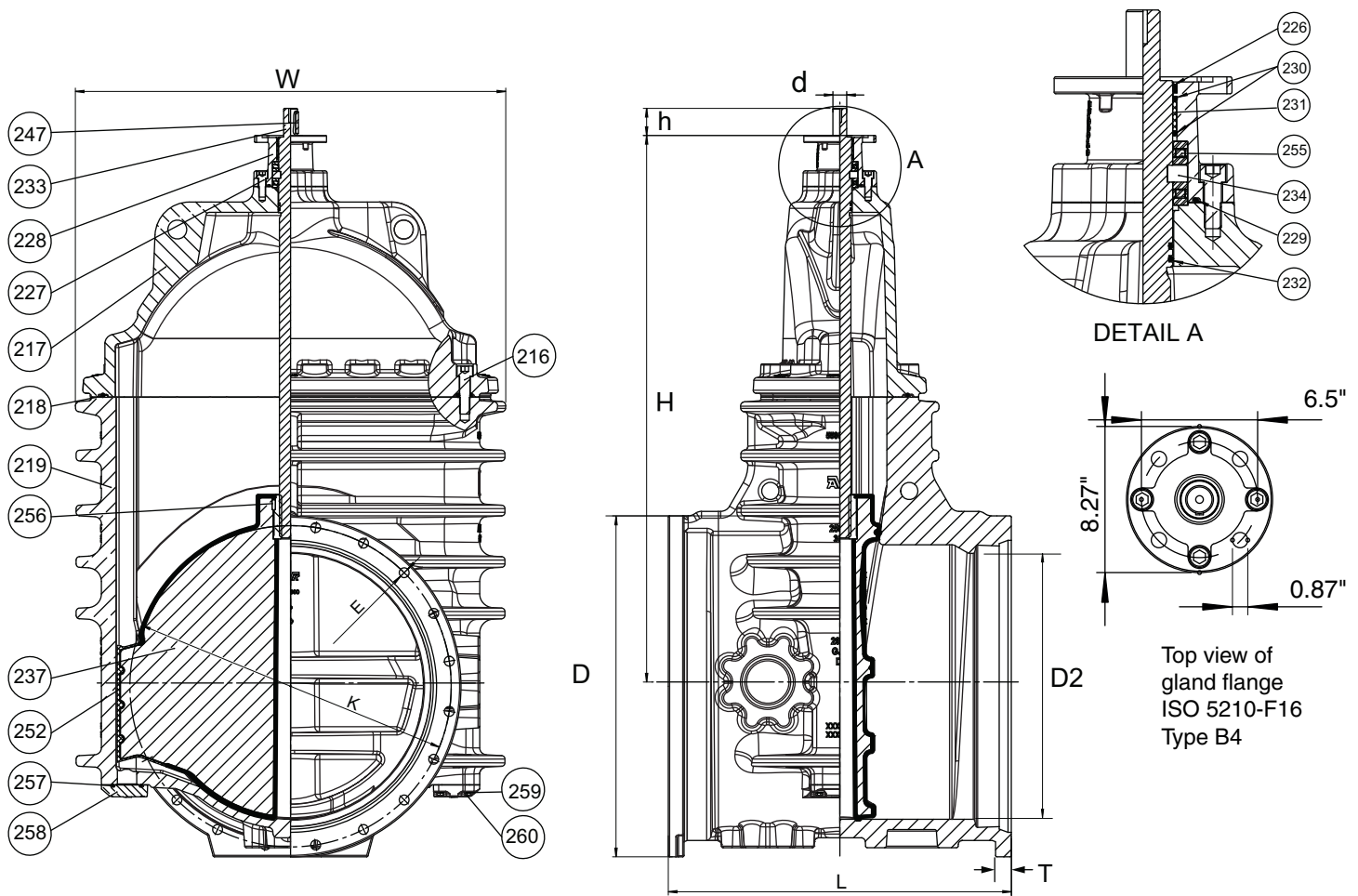


**AMERICAN AVK RESILIENT SEATED GATE VALVE**  
**250 PSI, Tested to AWWA C515 (NRS)**  
**Mechanical Joint Ends to AWWA C111 - Valve Size 30"**

**55/MMN30**  
**MJxMJ**

**Component List:**

- |                        |                              |                         |
|------------------------|------------------------------|-------------------------|
| 216. Bonnet Bolts      | 229. Gland O-Ring            | 252. Wedge Shoe         |
| 217. Bonnet            | 230. Upper Stem Seal O-Rings | 255. Stem Bearing       |
| 218. Bonnet Gasket     | 231. Stem Seal Bushing       | 256. Wedge Slotted Pin  |
| 219. Body              | 232. Lower Stem Seal O-Ring  | 257. Cover Plate O-ring |
| 226. Wiper Ring        | 233. Stem Rod                | 258. Cover Plate        |
| 227. Gland Flange Bolt | 234. Thrust Collar           | 259. Cover Plate Washer |
| 228. Gland Flange      | 237. Wedge                   | 260. Cover Plate Bolt   |



Ref. nos	Size	D	D2	d	E	H	h	K	L	T	W	Flange Holes	Turns to open	Wt. Lbs.
55-800-MMN	30"	39.12"	30.51"	1.60"	1.13"	62.80"	3.10"	36.88"	39.00"	1.81"	49.50"	20	68	5451

