

# AVK DOUBLE ECCENTRIC BUTTERFLY VALVE

766/BFV/ROT/BG/GB

Resilient Seated - 150 or 250 PSI rated working pressures to AWWA C504, BELOW GROUND

MJxMJ

Mechanical Joint Ends - Valve Sizes 24" - 48"

### Use:

For water to maximum 160°F.

### Tests:

Hydraulic tests:

150 PSI working pressure

Shell Test: 300 PSI

Seat Test: 150 PSI\*

250 PSI working pressure

Shell Test: 500 PSI

Seat Test: 250 PSI\*

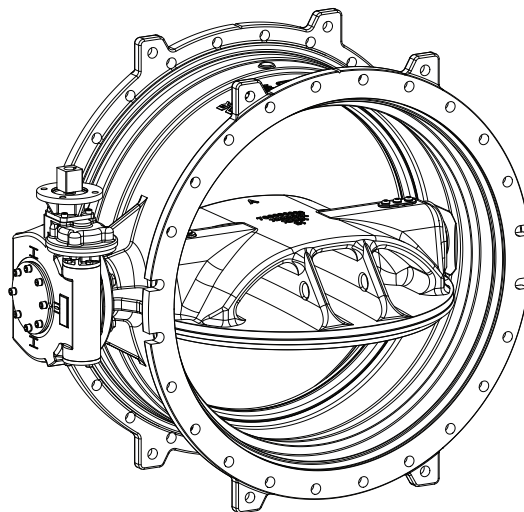
\* Single direction standard. Bi-directional testing available for additional fee.

### Standard Materials:

Body, Disc Body,	Ductile iron ASTM A536
End Plate	
Seat Ring	316 stainless steel
Dowel Pins	431 stainless steel
Coating	AWWA C550 Epoxy
Stems	150 PSI - 431 stainless steel 250 PSI - 17-4PH stainless steel
Bushings	Copper alloy ASTM B505
Hardware	316 stainless steel
Rubber Disc Seal,	EPDM rubber
Cover Plate O-ring	ASTM D2000 Buna "N" nitrile
Disc Gasket, Misc. O-rings	rubber
Axial Bearings	Steel with PTFE
Axial Thrust Bearing	Copper Bronze
O-Ring Retainers	Aluminum Bronze

### Approvals:

Certified to: ANSI/NSF 61, ANSI/NSF 372



# AVK DOUBLE ECCENTRIC BUTTERFLY VALVE

Resilient Seated - 150 PSI rated working pressures to AWWA C504, BELOW GROUND

Mechanical Joint Ends - Valve Sizes 24" - 48"

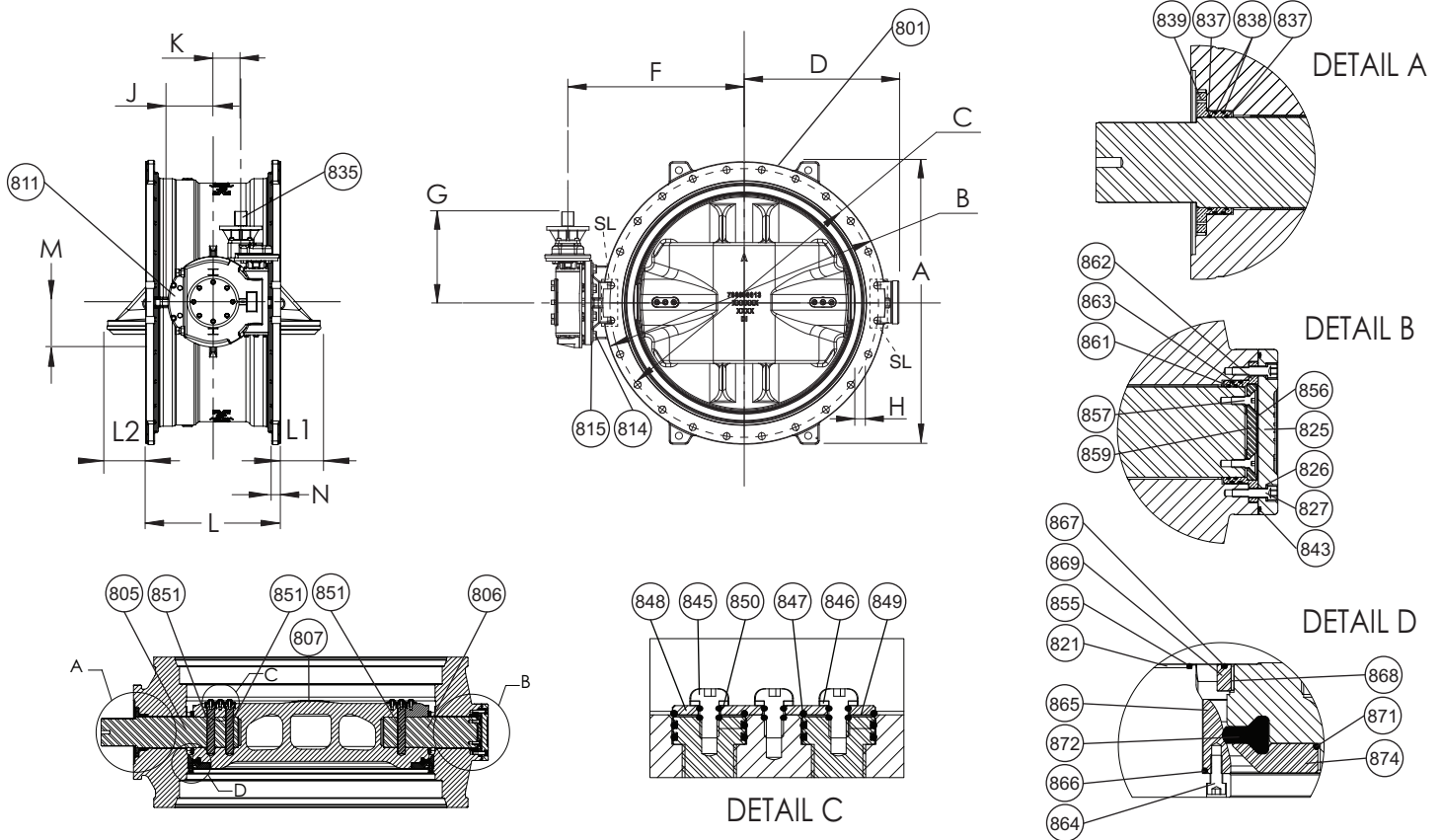
766/BFV/ROT/BG/GB

MJxMJ

## Component List:

801. Body	837. Upper O-ring Retainer Inner O-rings	853. Wrench Nut Key*	866. Seat Ring O-ring*
805. Drive Shaft	838. Upper O-ring Retainer Outer O-rings	854. Wrench Nut Set Screw*	867. Disc Cover O-ring
806. Stub Shaft	839. Upper Oring Retainer	855. Axial Bearing O-ring	868. Disc Cover Gasket
807. Disc Body	841. Safety Key*	856. Axial Thrust Bearing Gasket	869. Disc Cover
810. Gearbox Key*	843. End Plate Dust O-ring	857. Axial Thrust Bearing Mounting Screws	870. Disc Cover Mounting Screws*
811. Gearbox	845. Pin Screw	858. Axial Thrust Bearing Adjustment Screws*	871. Disc Seal Retainer O-ring
814. Gearbox Bolt	846. Pin Lock Washer	859. Axial Thrust Bearing	872. Disc Seal
815. Gearbox Washer	847. Outer Pin O-ring	860. Lower O-ring Retainer Mounting Screws	873. Disc Seal Retainer Mounting Screw O-rings*
821. Axial Bearing	848. Pin Safety Plate	861. Lower O-ring Retainer Inner O-rings	874. Disc Seal Retainer
825. End Plate	849. Pin Washer	862. Lower O-ring Retainer	875. Disc Seal Retainer Mounting Screw Washers*
826. End Plate Washers	850. Inner Pin O-ring	863. Lower O-ring Retainer Outer O-rings	876. Disc Seal Retainer Mounting Screws*
827. End Plate Bolts	851. Disc Pin	864. Seat Mounting Screws	
836. Upper O-ring Retainer Screws*	852. Wrench Nut	865. Seat Ring	

\* Not shown



Ref No.	Size	A	B	C	D	F	G	H	J	K	L	L1	L2	M	N	TURNS NO. OF SHPG.		
																TO OPEN	HL/SL*	WT. LBS.
766-0600-FF-BG-RGB	24"	31.93"	31.54"	30.00"	17.47"	24.93"	14.33"	0.87"	5.61"	5.35"	17.00"	3.09"	3.15"	5.61"	1.02"	24	12/4	944
766-0750-FF-BG-RGB	30"	39.53"	39.12"	36.88"	20.90"	27.48"	14.33"	1.14"	7.38"	7.00"	20.00"	4.39"	3.54"	7.38"	1.31"	38	16/4	1667
766-0900-FF-BG-RGB	36"	46.38"	46.00"	43.75"	25.04"	33.82"	20.51"	1.14"	8.86"	8.28"	22.00"	6.38"	4.00"	8.86"	1.45"	64	20/4	2557
766-1050-FF-BG-RGB	42"	53.50"	53.11"	50.62"	28.80"	37.62"	20.51"	1.38"	8.86"	8.28"	22.00"	9.41"	9.64"	8.86"	1.45"	64	24/4	3790
766-1200-FF-BG-RGB	48"	60.39"	60.00"	57.50"	32.72"	44.45"	22.24"	1.38"	10.24"	9.69"	24.00"	11.48"	11.72"	10.24"	1.45"	128	28/4	5111

\* HL/SL- Holes/Slotted per flange

