

# AVK DOUBLE ECCENTRIC BUTTERFLY VALVE

766/BFV/ROT/GB

Resilient Seated - 150 or 250 PSI rated working pressures to AWWA C504, ABOVE GROUND MJxMJ

Mechanical Joint Ends - Valve Sizes 24" - 48"

### Use:

For water to maximum 160°F.

### Tests:

Hydraulic tests:

150 PSI working pressure

Shell Test: 300 PSI

Seat Test: 150 PSI\*

250 PSI working pressure

Shell Test: 500 PSI

Seat Test: 250 PSI\*

\* Single direction standard. Bi-directional testing available for additional fee.

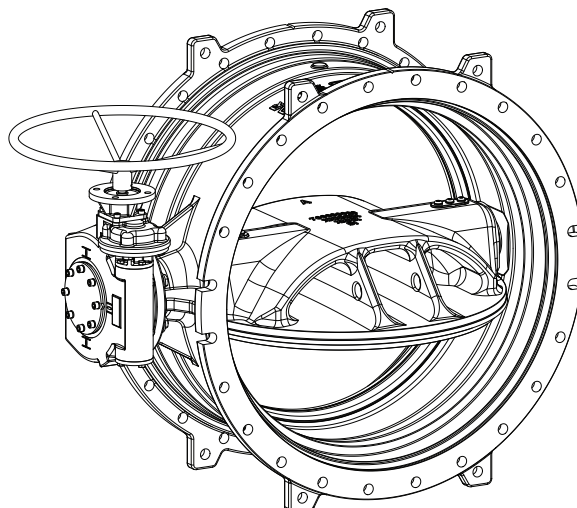
### Approvals:

Certified to: ANSI/NSF 61, ANSI/NSF 372



### Standard Materials:

Body, Disc Body, End Plate	Ductile iron ASTM A536
Seat Ring	316 stainless steel
Dowel Pins	431 stainless steel
Coating	AWWA C550 Epoxy
Stems	150 PSI - 431 stainless steel 250 PSI - 17-4PH stainless steel
Bushings	Copper alloy ASTM B505
Hardware	316 stainless steel
Rubber Disc Seal,	EPDM rubber
Cover Plate O-ring Disc Gasket, Misc. O-rings	ASTM D2000 Buna "N" nitrile rubber
Axial Bearings	Steel with PTFE
Axial Thrust Bearing	Copper Bronze
O-Ring Retainers	Aluminum Bronze



# AVK DOUBLE ECCENTRIC BUTTERFLY VALVE

Resilient Seated - 150 PSI rated working pressures to AWWA C504, ABOVE GROUND

Mechanical Joint Ends - Valve Sizes 24" - 48"

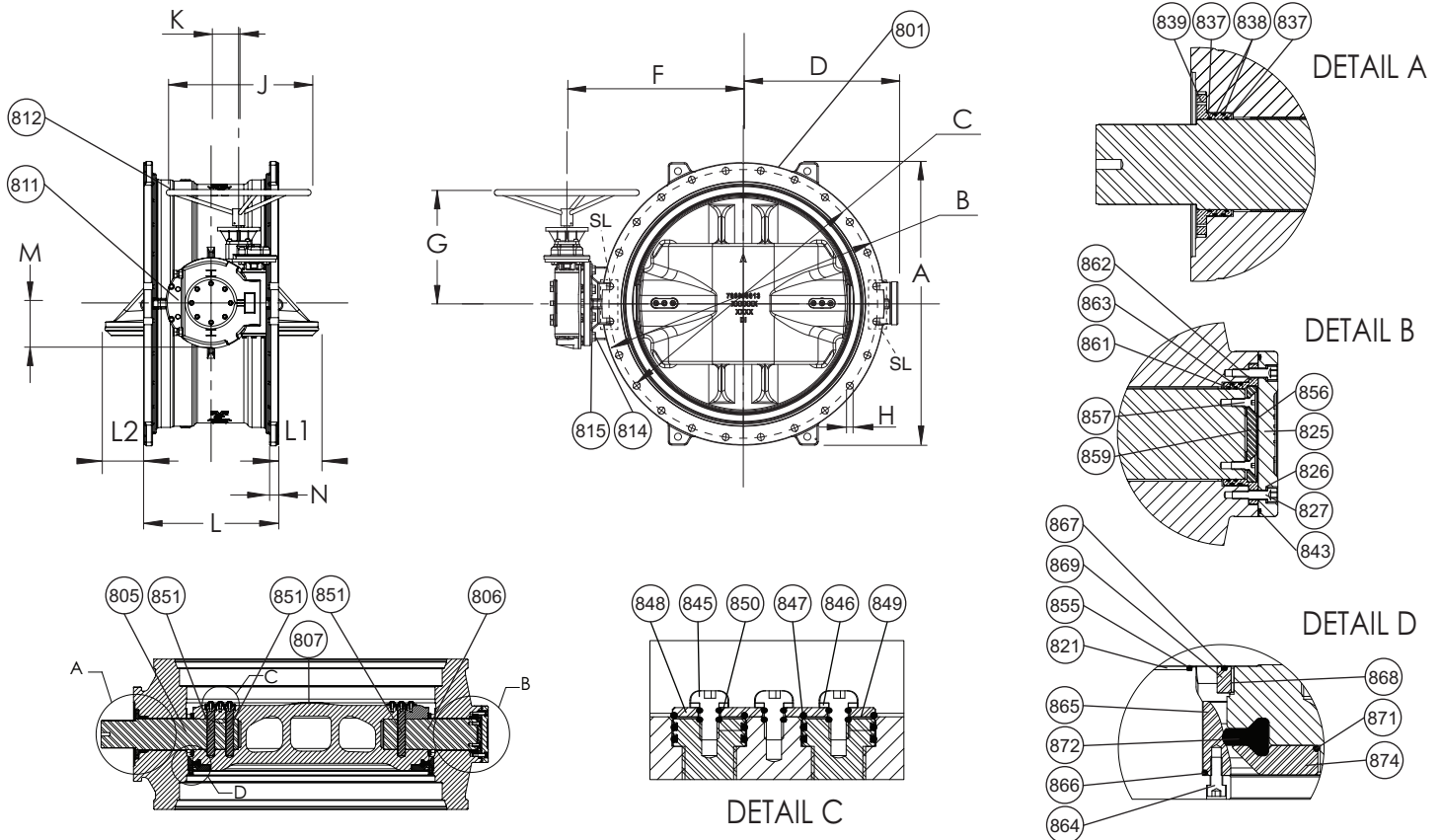
766/BFV/ROT/GB

MJxMJ

## Component List:

801. Body	827. End Plate Bolts	851. Disc Pin	867. Disc Cover O-ring
805. Drive Shaft	836. Upper O-ring Retainer Screws*	855. Axial Bearing O-ring	868. Disc Cover Gasket
806. Stub Shaft	837. Upper O-ring Retainer Inner O-rings	856. Axial Thrust Bearing Gasket	869. Disc Cover
807. Disc Body	838. Upper O-ring Retainer Outer O-rings	857. Axial Thrust Bearing Mounting Screws	870. Disc Cover Mounting Screws*
810. Gearbox Key*	839. Upper O-ring Retainer	858. Axial Thrust Bearing Adjustment Screws*	871. Disc Seal Retainer O-ring
811. Gearbox	841. Safety Key*	859. Axial Thrust Bearing	872. Disc Seal
812. Handwheel	843. End Plate Dust O-ring	860. Lower O-ring Retainer Mounting Screws	873. Disc Seal Retainer Mounting Screw O-rings*
814. Gearbox Bolt	845. Pin Screw	861. Lower O-ring Retainer Inner O-rings	874. Disc Seal Retainer
815. Gearbox Washer	846. Pin Lock Washer	862. Lower O-ring Retainer	875. Disc Seal Retainer Mounting Screw Washers*
816. Handwheel Screw*	847. Outer Pin O-ring	863. Lower O-ring Retainer Outer O-rings	876. Disc Seal Retainer Mounting Screws*
821. Axial Bearing	848. Pin Safety Plate	864. Seat Mounting Screws	
825. End Plate	849. Pin Washer	865. Seat Ring	
826. End Plate Washers	850. Inner Pin O-ring	866. Seat Ring O-ring*	

\* Not shown



Ref No.	Size	A	B	C	D	F	G	H	J	K	L	L1	L2	M	N	TURNS		SHPG.
																TO OPEN	HL/SL*	
766-0600-MM-RGB	24"	31.93"	31.54"	30.00"	17.47"	24.93"	16.53"	0.87"	23.62"	5.35"	17.00"	3.09"	3.15"	5.61"	1.02"	24	12/4	940
766-0750-MM-RGB	30"	39.53"	39.12"	36.88"	20.90"	27.48"	16.53"	1.14"	23.62"	7.00"	20.00"	4.39"	3.54"	7.38"	1.31"	38	16/4	1642
766-0900-MM-RGB	36"	46.38"	46.00"	43.75"	25.04"	33.82"	22.72"	1.14"	23.62"	8.28"	22.00"	6.38"	4.00"	8.86"	1.45"	64	20/4	2524
766-1050-MM-RGB	42"	53.50"	53.11"	50.62"	28.80"	37.62"	22.72"	1.38"	23.62"	8.28"	22.00"	9.41"	9.64"	8.86"	1.45"	64	24/4	3753
766-1200-MM-RGB	48"	60.39"	60.00"	57.50"	32.72"	44.45"	24.41"	1.38"	23.62"	9.69"	24.00"	11.48"	11.72"	10.24"	1.45"	128	28/4	5065

\* HL/SL - Holes/Slots per flange

