

**AVK CONCENTRIC BUTTERFLY VALVE, ROTORK ACTUATION, 816/BFV/ROT/BG/GB WITH VULCANIZED LINER, CLASS 150B&250B - BELOW GROUND FLxFL**  
**Flanged Ends to ANSI B16.42 class 150 - Valve Sizes 3" - 24"**

**Use:**  
 For water to maximum 160°F.

**Tests:**  
 Hydraulic tests to AWWA C504:

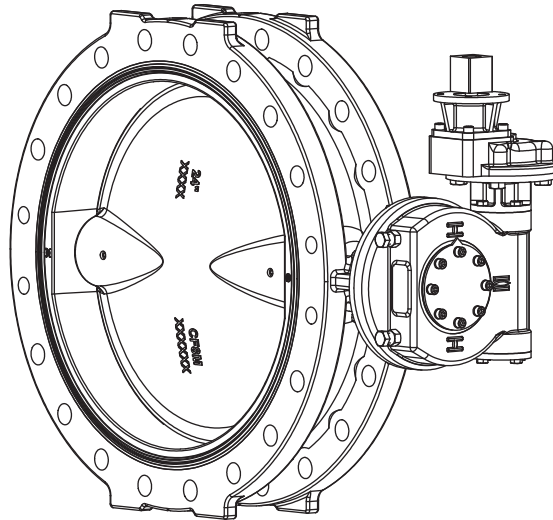
	150B	250B
Shell Test:	300 PSI	500 PSI
Seat Test:	150 PSI	250 PSI

**Approvals:**  
 Certified to: ANSI/NSF 61, ANSI/NSF 372



**Standard Materials:**

Body	Ductile iron ASTM A536 with vulcanized EPDM liner
Coating	Two Component, High Solids Epoxy
Stems	Standard: 17-4PH Stainless steel ASTM A564
Bushings	Copper alloy ASTM B505
Disc	Ductile iron ASTM A536 with Ni-Cu seat
Mounting hardware, Set Screw	Stainless steel
O-rings	ASTM D2000 Buna "N" nitrile rubber



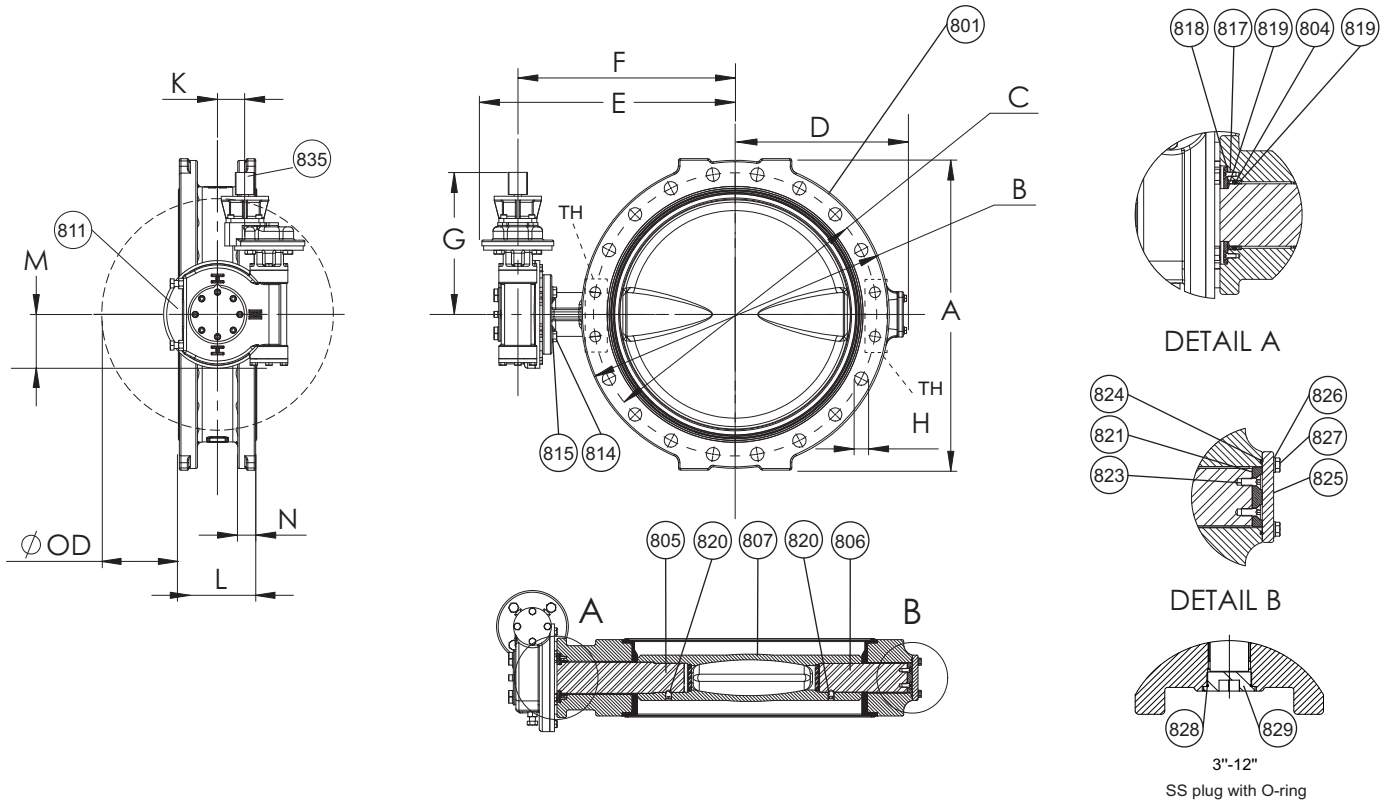
# AVK CONCENTRIC BUTTERFLY VALVE, ROTORK ACTUATION, 816/BFV/ROT/BG/GB WITH VULCANIZED LINER, CLASS 150B&250B - BELOW GROUND FLxFL

Flanged Ends to ANSI B16.42 class 150 - Valve Sizes 3" - 24"

### Component List:

801. Body	811. Gearbox	820. Stem-Disc Screws	827. End Plate Bolts
804. Upper Shaft O-ring	814. Gearbox Bolt	821. Axial Bearing	828. Stem Plug O-ring
805. Drive Shaft	815. Gearbox Washer	822. Bearing Adjustment Screws*	829. Stem Plug
806. Stub Shaft	817. Stem Plate Retaining Screws	824. End Plate O-ring	835. Wrench Nut
807. Disc	818. Stem Plate	825. End Plate	836. Wrench Nut Set Screw*
810. Gearbox Key*	819. O-ring Retainer	826. End Plate Washers	

\* Not shown



Ref No.	Size	A	B	C	D	E	F	G	H	K	L	M	N	ØOD	TURNS NO. OF SHPG.		
															150/250	HL/TH*	WT. LBS.
816-080-FF-BG-RGB	3"	7.50"	7.50"	6.00"	3.75"	9.32"	6.86"	6.77"	0.75"	2.80"	5.00"	2.71"	0.75"	NA	9/9	4/0	45
816-100-FF-BG-RGB	4"	9.00"	9.00"	7.50"	4.50"	9.84"	7.38"	6.77"	0.75"	2.80"	5.00"	2.71"	0.94"	NA	9/9	8/0	57
816-150-FF-BG-RGB	6"	11.00"	11.00"	9.50"	5.50"	11.12"	8.66"	6.77"	0.88"	2.80"	5.00"	2.71"	1.00"	0.53"	9/9	8/0	72
816-200-FF-BG-RGB	8"	13.50"	13.50"	11.75"	6.75"	12.15"	9.69"	7.17"	0.88"	3.38"	6.00"	3.94"	1.13"	1.04"	10/10	8/0	116
816-250-FF-BG-RGB	10"	16.00"	16.00"	14.25"	8.00"	13.76"	11.30"	7.17"	1.00"	3.38"	8.00"	3.94"	1.19"	1.02"	10/10	12/0	159
816-300-FF-BG-RGB	12"	19.00"	19.00"	17.00"	9.50"	14.75"	12.29"	7.17"	1.00"	3.38"	8.00"	3.94"	1.25"	2.03"	10/10	12/0	209
816-350-FF-BG-RGB	14"	21.50"	21.00"	18.75"	10.70"	16.48"	14.02"	7.17"	1.13"	3.38"	8.00"	3.94"	1.38"	3.03"	10/10	12/0	264
816-400-FF-BG-RGB	16"	23.82"	23.50"	21.25"	12.28"	18.41"	15.95"	7.17"	1.13"	3.38"	8.00"	3.94"	1.44"	4.03"	10/10	12/4	346
816-450-FF-BG-RGB	18"	25.39"	25.00"	22.75"	13.56"	19.40"	16.94"	7.80"	1.25"	4.11"	8.00"	4.33"	1.56"	5.04"	10/12	12/4	484
816-500-FF-BG-RGB	20"	27.95"	27.50"	25.00"	14.70"	28.07"	18.98"	14.21"	1.25"	5.35"	8.00"	5.35"	1.70"	6.04"	12/24	16/4	569
816-600-FF-BG-RGB	24"	32.44"	32.00"	29.50"	17.85"	31.89"	22.80"	14.21"	1.38"	5.35"	8.00"	5.35"	1.88"	8.05"	24/38	16/4	787

\* HL/TH - Holes/Threaded per flange  
NA - Not Applicable

