

# AVK HDPE FUSIBLE DUAL CONTAINMENT VALVE

890/PEBFV  
HDPE/DCV

HDPE fusible ends, (IPS, SDR 11, standard) - Valve sizes 2" x 4" through 6" x 10"

### Use:

The AVK series 890 HDPE fusible Dual-Containment Butterfly Valves include a second pipe housing. This unit can be fused into new or existing dual-containment (Double Wall) HDPE pipelines, eliminating the need for valve boxes or vaults.

The Series 890 provides a cost effective solution with a sound engineering design, created to provide reliable environmental protection.

### Tests:

Every valve is performance tested per ASME B16.40.  
Containment shell tested @ 70 psi at 73° F.

### Features:

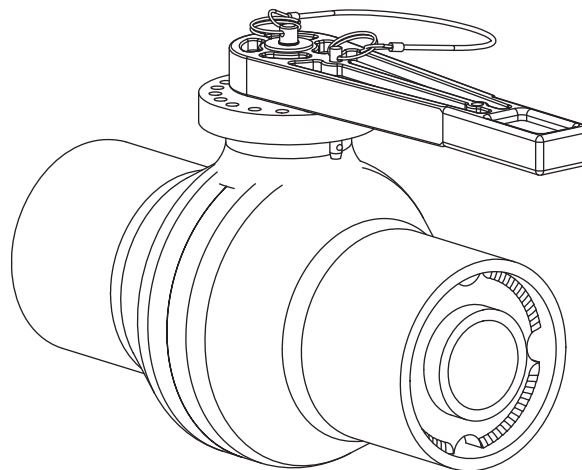
100% HDPE body  
IPS, SDR 11, HDPE fusible ends (standard)  
316 stainless steel stems  
Operating levers

### Standard Materials:

Valve Body, Reducer HDPE, PE100 Class

Upper, Lower Stem Disc Stainless steel – 316

Seat NBR rubber (standard)



# AVK HDPE FUSIBLE DUAL CONTAINMENT VALVE

**890/PEBFV  
HDPE/DCV**

HDPE fusible ends, (IPS, SDR 11, standard) - Valve sizes 2" x 4" through 6" x 10"

## Components

800. Valve Body

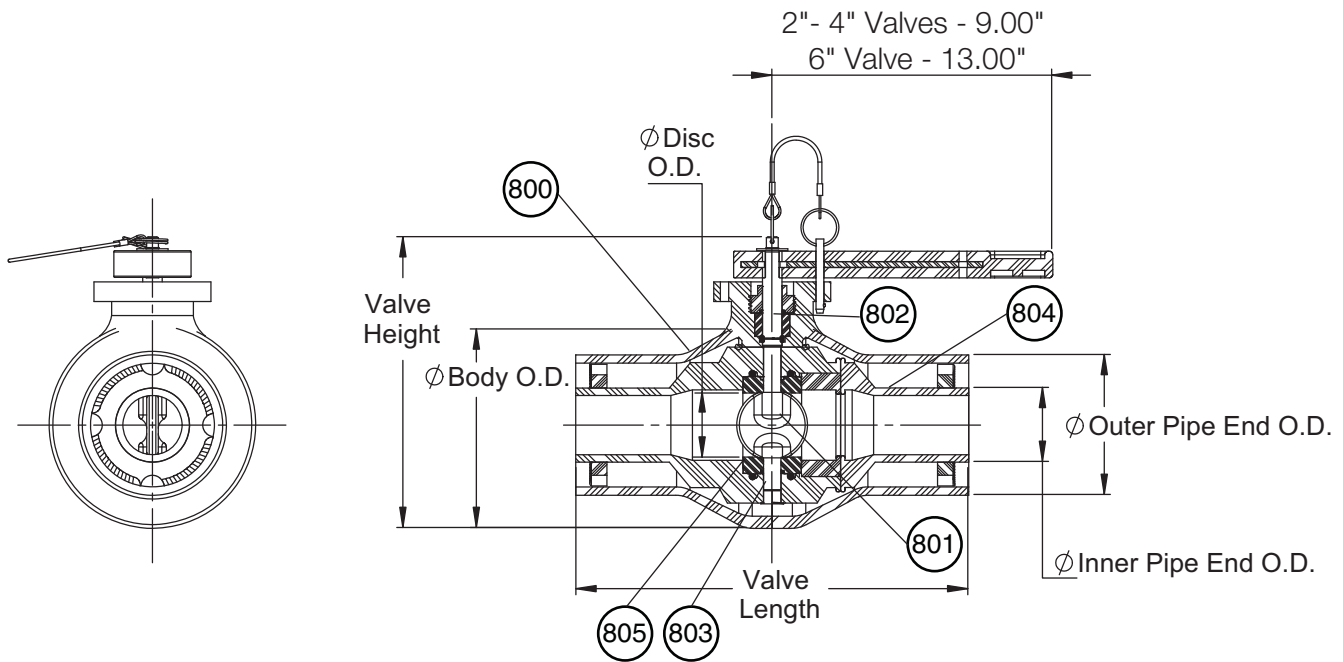
801. Disc

802. Upper Stem

803. Lower Stem

804. Reducer

805. Seat



AVK ref. nos.	Size IPS	Body O.D. in.	Disc O.D. in.	Valve Length in.	Inner Pipe End O.D. in.	Outer Pipe End O.D. in.	Inner Pipe End min-wall. SDR-11 in.	Outer Pipe End min-wall. SDR-11 in.	Valve Height in.	Cv@ 90°	Δ P psi Valve @ 10ft/Sec	Equiv. Lg. SDR 11 Pipe-Ft	Weight lbs.
890-050-PEBFV	2" x 4"	6.63	2.27	12.60	2.38	4.50	0.216	0.265	9.82	145	0.40	5.30	7
890-080-PEBFV	3" x 6"	8.63	3.31	12.60	3.50	6.63	0.318	0.602	11.63	325	0.40	7.70	15
890-100-PEBFV	4" x 8"	10.75	4.17	18.12	4.50	8.63	0.409	0.507	13.29	590	0.30	8.60	30
890-150-PEBFV	6" x 10"	12.75	6.06	20.40	6.63	10.75	0.602	0.632	15.94	1950	0.20	5.70	44

\* Number of feet of pipe with the same pressure drop as experienced across the valve at 10 ft/sec.

