

# AMERICAN AVK OS&Y RESILIENT SEATED GATE VALVE, WITH ACTUATOR PLATE

# OS&Y/ACT OS&Y ACTUATOR VALVES

- (OS&Y) - Series 45, - Valve Sizes 3" through 12"

- (OS&Y) - Series 65, - Valve Sizes 2½" through 12"

### Use:

For water and neutral liquids to maximum 160°F.

### Tests:

Hydraulic test to AWWA C509, C515:

Shell Test: 500 PSI

Seat Test: 250 PSI

Operating Torque Test

\* where applicable

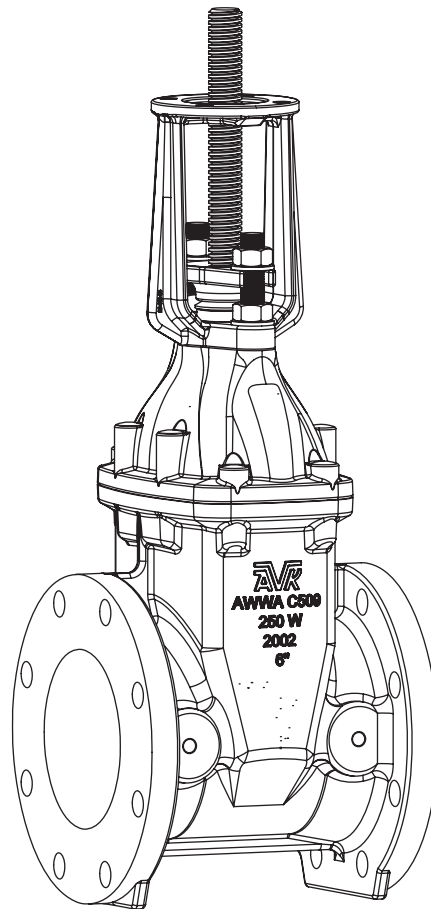
### Standard Materials:

Adapter Flange      Ductile iron ASTM A536

Stem                      Bronze

Stud Bolts, Washers, Nuts      Zinc Plated Steel  
Socket Head Cap Screw

Note:                      For complete Standard, and  
Optional material lists, refer to  
individual Series datasheets.



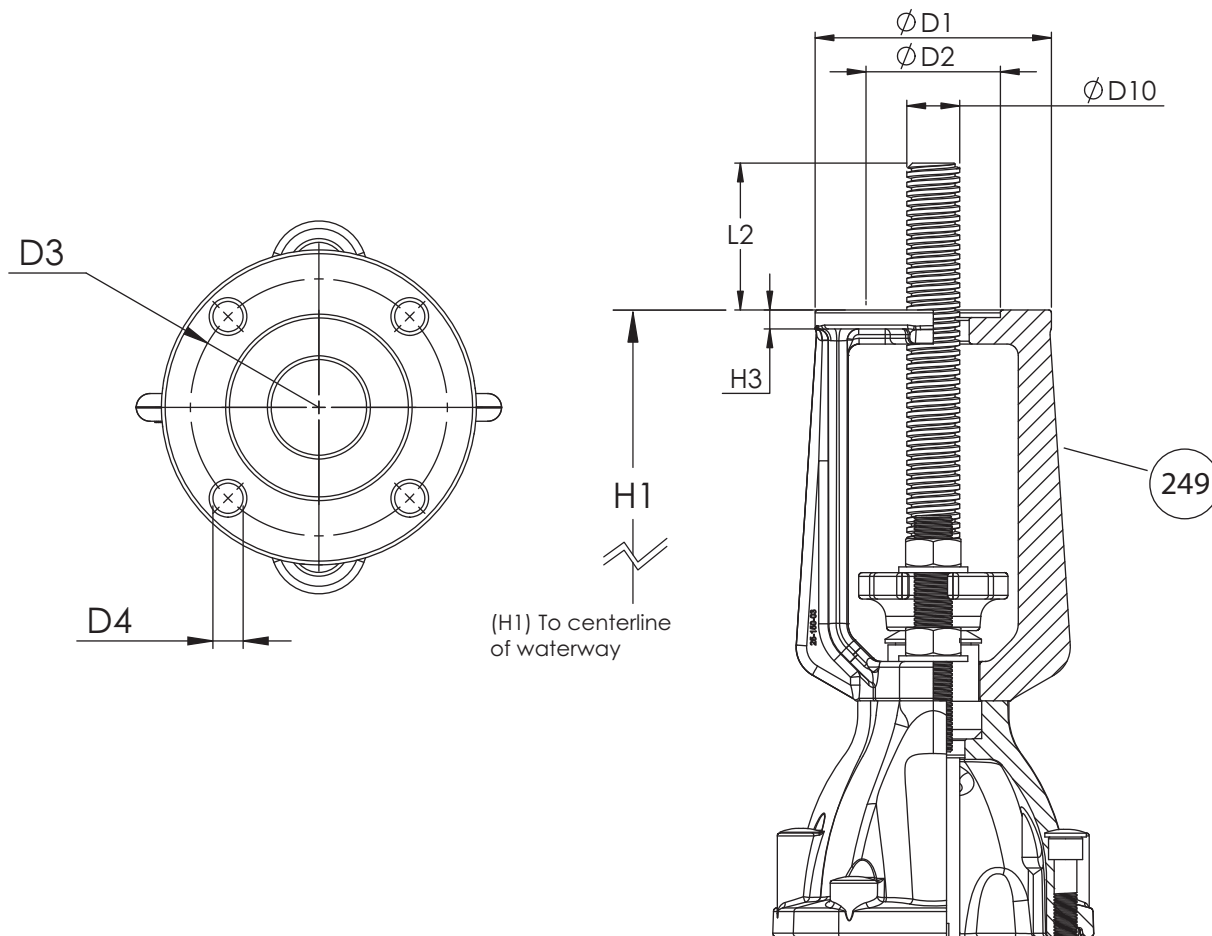
# AMERICAN AVK NRS RESILIENT SEATED GATE VALVE, WITH ACTUATOR PLATE

# OS&Y/ACT OS&Y ACTUATOR VALVES

- (OS&Y) - Series 45, - Valve Sizes 3" through 12"
- (OS&Y) - Series 65, - Valve Sizes 2½" through 12"

### Component List:

249. Actuator Yoke



Valve Size	ISO Plate	Thread Type*	D1	D2	D3	D4	D10	H1/45	H1/65	H3	L2/45 Open	L2/45 Closed	L2/65 Open	L2/65 Closed
2½"	FA10	M20x4	4.92"	2.80"	4.00"	0.47"	0.79"	12.51"	12.51"	0.39"	4.98"	2.48"	4.98"	2.48"
3"	FA10	M20x4	4.92"	2.80"	4.00"	0.47"	0.79"	13.15"	13.34"	0.39"	5.48"	2.48"	5.67"	2.67"
4"	FA10	M25x5	4.92"	2.80"	4.00"	0.47"	0.98"	15.39"	15.57"	0.39"	7.25"	3.25"	7.57"	3.57"
6"	FA10	M28x5	4.92"	2.80"	4.00"	0.47"	1.10"	21.19"	21.49"	0.39"	9.81"	3.81"	10.11"	4.11"
8"	FA14**	M32x6	6.89"	3.98"	5.50"	0.71"	1.26"	27.03"	27.37"	0.59"	11.97"	3.97"	12.30"	4.30"
10"	FA14	M36x6	6.89"	3.98"	5.50"	0.71"	1.42"	32.28"	32.60"	0.59"	14.52"	3.72"	14.84"	4.04"
12"	FA14	M40x7	6.89"	3.98"	5.50"	0.71"	1.57"	37.34"	37.68"	0.59"	16.16"	4.16"	16.50"	4.50"

\* Lefthand thread, to ( DIN 103 8c )

\*\* ISO F10 bolting dimensions optional

