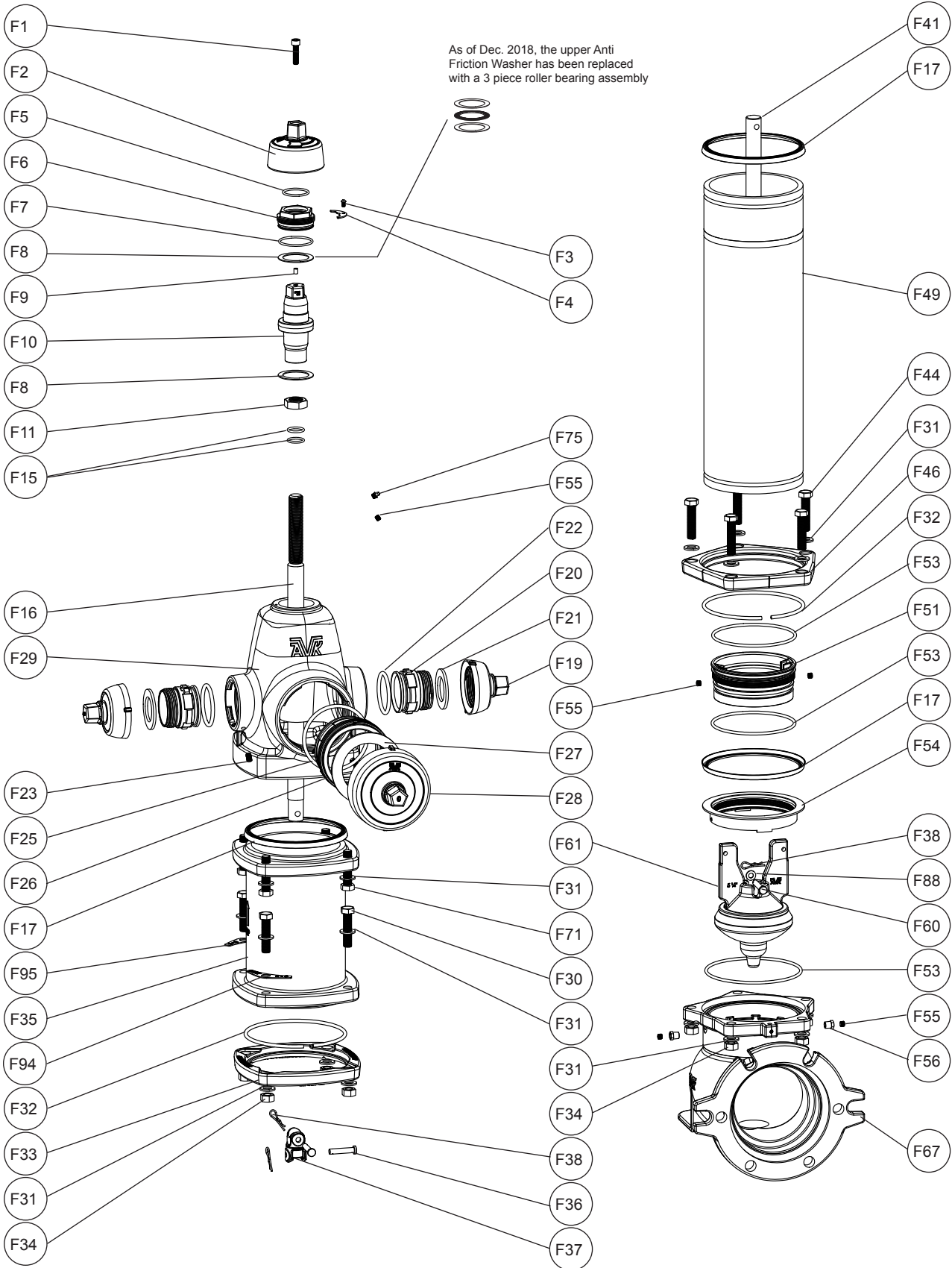


American AVK Series 2700 Modern Hydrant Exploded Parts Breakdown



Item No.	Description	Material
F1	Weathershield Bolt	304 Stainless steel
F2	Weathershield	Grey Iron, ASTM126, Class "B"
F3	Lockplate Bolt	304 Stainless steel
F4	Lock Plate	304 Stainless steel
F5	Inner Thrust Nut O-ring	NBR
F6	Thrust Nut	Copper Alloy
F7	Outer Thrust Nut O-ring	NBR
F8	Anti Friction Washer	Nylon
F9	Lubrication Hole Seal	NBR
F10	Operating Nut	Copper Alloy
F11	Stop Nut	Zinc plated steel
F12*	Bonnet Bolt	Zinc plate, 304, 316 Stainless steel
F13*	Bonnet Washer	Zinc plate, 304, 316 Stainless steel
F14*	Bonnet	Ductile Iron, ASTM A536
F15	Stem Seal O-rings	NBR
F16	Upper Stem Rod	304 Stainless steel, Epoxy coated steel
F17	Barrel Gasket	NBR with stainless steel insert
F18*	Bonnet Nut	Zinc plate, 304, 316 Stainless steel
F19	Hose Nozzle Cap	Grey Iron, ASTM126, Class "B"
F20	Hose Nozzle	Copper Alloy
F21	Hose Nozzle Cap Gasket	NBR
F22	Hose Nozzle O-ring	NBR
F23**	Set Screw - (Nozzle)	304 Stainless steel
F24*	Chain Assembly	Zinc Plated Steel
F25	Pumper Nozzle O-ring	NBR
F26	Pumper Nozzle	Copper Alloy
F27	Pumper Cap Gasket	NBR
F28	Pumper Cap	Grey Iron, ASTM126, Class "B"
F29	Nozzle Section	Ductile Iron, ASTM A536
F30	Nozzle Section Bolt	Zinc plate, 304, 316 Stainless steel
F31	Nozzle Section Washer	304 Stainless steel
F32	Lock Ring	304 Stainless steel
F33	Breakable Flange	Ductile Iron, ASTM A536
F34	Nozzle Section Nut	304 Stainless steel
F35	Upper Barrel	Ductile Iron, ASTM A536
F36	Coupler Pin	420 Stainless steel
F37	Breakable Stem Rod Coupling	431 Stainless steel
F38	Spring Pin	304 Stainless steel
F41	Lower Stem Rod	Mild Steel, 304 Stainless steel
F42*	Extension Coupling	304 Stainless steel
F43*	Extension Barrel	Ductile Iron, ASTM A536
F44*	Upper.Extension Barrel Bolt	Zinc plate, 304, 316 Stainless steel
F45	N/A	
F46	Standpipe Flange	Ductile Iron, ASTM A536
F47*	Monitor Elbow	Ductile Iron, ASTM A536
F48*	Extension Stem Rod	Mild Steel, 304 Stainless steel
F49	Lower Barrel	Ductile Iron, ASTM A536
F50	Lower Barrel O-ring	NBR
F51	Valve Seat Ring	NBR
F52	N/A	
F53	Valve Seat O-ring	NBR
F54	Drain Ring	Copper Alloy
F55	Brass Plug	Copper Alloy
F56	Brass Fitting	Copper Alloy
F57	Main Valve Flange	Ductile Iron, ASTM A536
F59	N/A	
F60	Main Valve Retaining Pin	420 Stainless steel
F61	Main Valve	EPDM, Encapsulated Ductile Iron
F62	Base Gasket	NBR
F63*	Straight Inlet	Ductile Iron, ASTM A536
F64	Stud Bolt	Zinc plate, 304, 316 Stainless steel
F65	N/A	
F66	N/A	
F67	Base	Ductile Iron, ASTM A536
F68	N/A	
F69***	Thrust Bearing Race	Hardened Steel
F70***	Thrust Bearing	Hardened Steel
F71*	Modern Nozzle Section Bolt	Zinc plate, 304, 316 Stainless steel
F72*	Base Gasket - Specify type	NBR
F73*	Storz Cap O-ring	EPDM
F74*	Cap/Cable Assembly	
F75	Zerk Fitting	Case Hardened Steel, Zinc Plated
F88	Main Valve Retaining Pin Washer	304 Stainless steel
F90*	Hose Nozzle Position Clip	300 Series Stainless
F91*	Pumper Nozzle Position Clip	300 Series Stainless
F92*	Inner Storz Cap O-ring	NBR
F93*	Storz Adaptor	Copper Alloy
F94	Bury Tag	Aluminum
F95	Extension Bury Tag	Aluminum

* Not Shown in Exploded Parts Breakdown

** As of July 2015, secondary Set Screws were added to all dry barrel nozzle outlets

*** As of Dec. 2018, the upper Anti Friction Washer has been replaced with a 3 piece roller bearing assembly comprised of 2, F69 Thrust Bearing Races and 1, F70 Thrust Bearing.